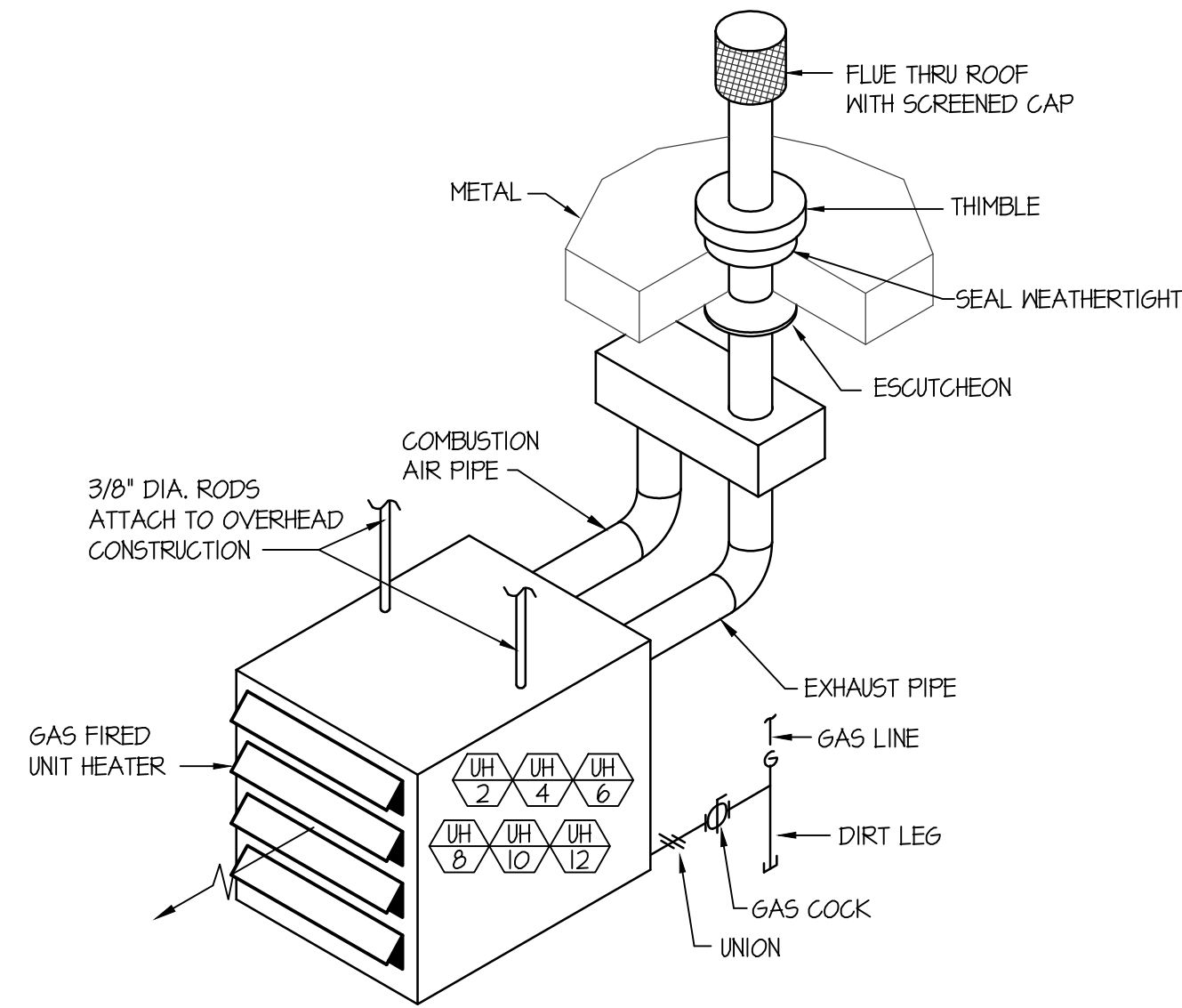
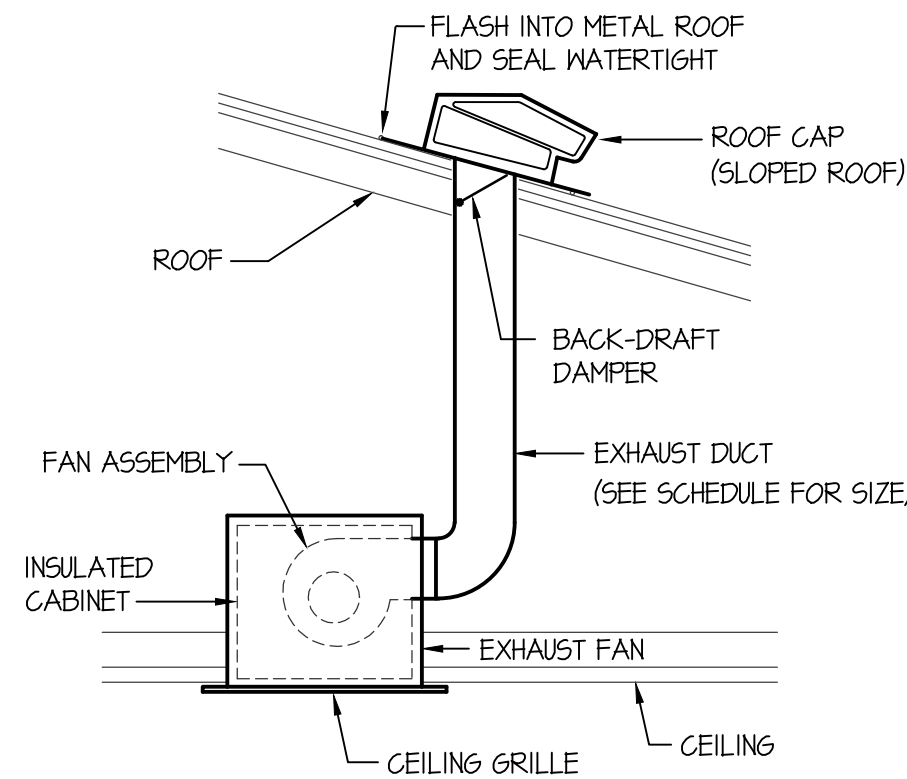


CONDENSING UNIT SCHEDULE										
SYM.	BTU	EAT	CHAR.	MCA	MF5	SEER	REFR.	PIPE SIZING		REMARKS
								LIQUID	SUCTION	
CU-1 THRU CU-6	30,000	45°F	208/60/1	18.7	30.0	13.0	R-410A	3/8"	5/8"	LENNOX MODEL 13ACX-030 WITH 0°F LOW AMBIENT HARD START KIT.

* CONDENSING UNITS CU-1 AND CU-4 TO BE SUPPLIED AND INSTALLED IN THE FUTURE



SEALLED COMBUSTION GAS FIRED UNIT HEATER DETAIL
NO SCALE



CEILING MOUNTED EXHAUST FAN DETAIL
NO SCALE

FURNACE AND DX COOLING COIL SCHEDULE																							
SYM.	TYPE	C.F.M.	SP _e	SPEED	H.P.	CHAR.	A.G.A.		E.A.T.	L.A.T.	GAS TYPE	DX COOLING COIL			PIPING SIZES			REMARKS					
							INPUT	OUTPUT				Ø	ELEV.	E.A.T.	L.A.T.	MAX. P.D.	LIQUID		SUCTION	C.D.	NAT GAS	INTAKE	EXHAUST
F-1 THRU F-6	UPFLOW	1000	60"	M-HIGH	1/3	120/60/1	66,000	64,000	5/8"	65°F	105°F	NAT	30,000	15°F	55°F	.25"	SEE C. UNIT SCHED.	SEE C. UNIT SCHED.	3/4"	3/4"	2" PVC	2" PVC	LENNOX ELBPHOTOP36B WITH FULLY CASED R-410A DX COIL TO MATCH FURNACE AND VERTICAL VENT TERMINAL ASSEMBLY.

* FURNACES F-1 AND F-4 TO BE SUPPLIED AND INSTALLED IN THE FUTURE

EXHAUST FAN SCHEDULE										
SYM.	TYPE	C.F.M.	S.P.E.	WATTS	CHAR.	R.P.M.	CONTROL	REMARKS		
EF-1 THRU EF-12	CEILING MOUNTED	100	.40	100	120/60/1	750	WALL SWITCH SEE ELEC.	BROAN LOSONE SELECT MODEL L100 WITH BACKDRAFT DAMPER. 6" Ø EXHAUST DUCT TO ROOF CAP		

* EXHAUST FANS EF-1, EF-2, EF-7 AND EF-8 TO BE SUPPLIED AND INSTALLED IN THE FUTURE

UNIT HEATER SCHEDULE (GAS)													
SYM.	TYPE	CFM	H.P.	CHAR.	A.G.A.		EAT	LAT	SUP.	FUEL TYPE	FLUE	WEIGHT	REMARKS
					INPUT	OUTPUT							
UH-1 THRU UH-11	SEALED COMBUSTION	960	1/3	120/60/1	75.0	62.5	65°F	105°F	3/4"	NAT	(2) 4" Ø	75 LBS	REZNOR MODEL UDAS 15 UNIT HEATER WITH HORIZONTAL VENT TERMINATION KIT.
UH-12 THRU UH-16	SEALED COMBUSTION	960	1/3	120/60/1	75.0	62.5	65°F	105°F	3/4"	NAT	(2) 4" Ø	75 LBS	REZNOR MODEL UDAS 15 UNIT HEATER WITH VERTICAL VENT TERMINATION KIT.

GRILLE AND REGISTER SCHEDULE									
SYM.	TYPE	SIZE	CFM RANGE	THROW PATTERN	CONSTR.	FINISH	BALANCING DAMPER	FIRE DAMPER	REMARKS
D-1 CFM	CEILING	6x6	50-100	☒	STEEL	WHITE	NO	NA	PRICE MODEL SMD IN BEVELED FRAME
D-2 CFM	CEILING	9x9	110-280	☒	STEEL	WHITE	NO	NA	PRICE MODEL SMD IN 24"x24" LAY-IN MODULE
D-3 CFM	CEILING	9x9	110-280	☒	STEEL	WHITE	NO	NA	PRICE MODEL SMD IN 24"x24" LAY-IN MODULE
D-4 CFM	CEILING	9x9	110-280	☒	STEEL	WHITE	NO	NA	PRICE MODEL SMD IN 24"x24" LAY-IN MODULE
R-1	CEILING	10x10	100-300	NA	STEEL	WHITE	NA	NA	PRICE MODEL 535 IN 24"x24" LAY-IN MODULE
R-2	CEILING	12x12	300-450	NA	STEEL	WHITE	NA	NA	PRICE MODEL 535 IN 24"x24" LAY-IN MODULE
RC-1	INTAKE ROOF CAP	12" Ø	100	NA	STEEL	MATCH ROOF	NA	NA	FENN MODEL DR12 SLOPED ROOF CAP

LICENSED ARCHITECT AR-2650
MARLA R. MORGAN
STATE OF IDAHO



MARLA MORGAN, Architect
Ph: 208.270.2244
E-MAIL: morgnrmr@cobleone.net

OWNER: HEYREND PROPERTIES, LLC
New Warehouse Building
Location: Heyrend Way Idaho Falls, Idaho 83402

MECHANICAL DETAILS & MECHANICAL SCHEDULES

ORIGINAL DRAWING SIGNED BY: DWAYNE C. SUDWEEKS
DATE ORIGINAL SIGNED: JULY 19, 2019
ORIGINAL ON FILE AT ENGINEERED SYSTEMS ASSOCIATES
1355 EAST CENTER, POCA TELLO, IDAHO 83201

Engineered Systems Associates
1355 EAST CENTER
POCA TELLO, IDAHO 83201
PHONE: (208) 233-0501
FAX: (208) 233-0529
EMAIL: esa@engsystems.com
ESA JOB NUMBER: 19032

PROFESSIONAL ENGINEER REGISTERED 5762 STATE OF IDAHO DWAYNE C. SUDWEEKS

REVISIONS	NO.	DATE	DESCRIPTION

SHEET NUMBER
M-4 OF 4